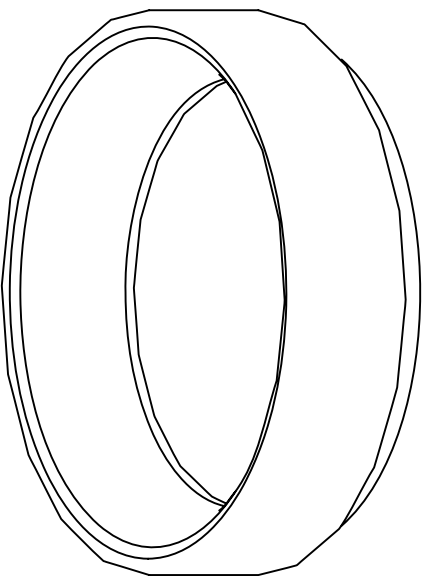




Contemporary™ Lighting

PRODUCT NAME: IQ Pendant Lamp
ITEM NUMBER: E31252-BBK

Please consult your electrician for hanging fixture and wiring.



Dimmable only with Hue compatible devices.
Requires Philips Hue Bridge for smart control or Philips Hue Wireless Dimmer Switch.
Please remove (wall or cord) dimmers between mains and luminaire or use the luminaire where no dimmers are in place.
A dimmer will impact the performance and lifetime of the Product.
Dimming up or down of the luminaire is to be done only with Hue compatible devices

WARNING: Wires need to be connected to driver found in canopy and should not be connected directly to power source or a short may occur.

45W Friends of Hue Color Ambiance LED Strip (integrated)



MADE IN CHINA
Page 1 of (2)

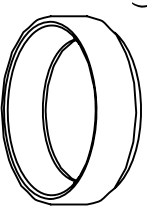
E2, via its licensor, grants you a non-exclusive right to solely access and use the software (and any updates thereto) included in the Hue Components as part of the Friends of Hue feature. Any software included in the Hue Components (and any updates thereto), is licensed and not sold. No other uses is permitted, and Signify (Philips Lighting) retains for itself all title and ownership to any software delivered hereunder.

IMPORTANT: Turn off the power at the main fuse or circuit breaker box before starting installation

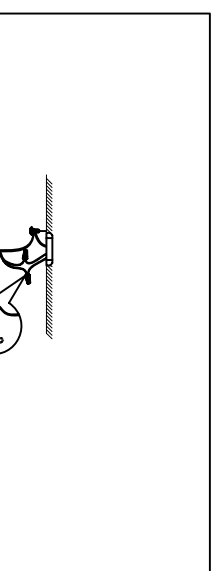
Mounting Bracket (A)



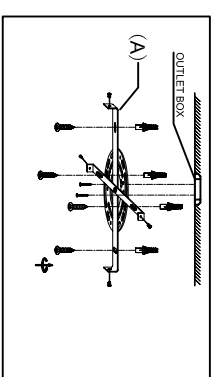
Fixture(B)



Locate all hardware & components before discarding packaging

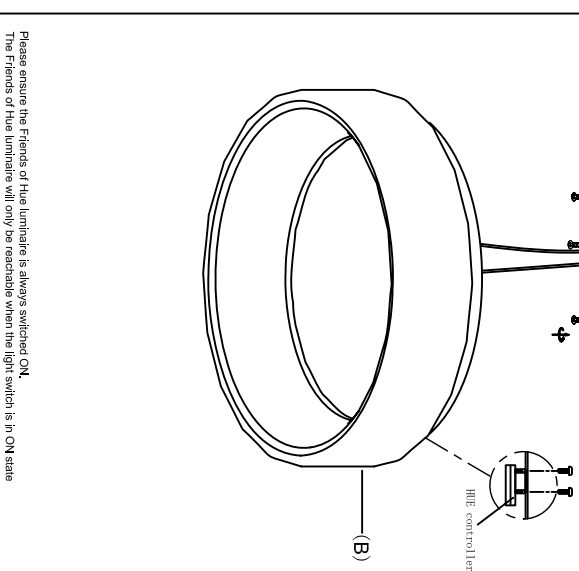


1.)



2.)

Step, 1-Remove mounting bracket from fixture and install to electrical box.
Mark where screws at ends of bracket meet the ceiling. Remove mounting bracket from ceiling. Drill holes using 3/16" ± drill bit where marked. Install mounting bracket to outlet box and attach anchors to secure bracket at ends.



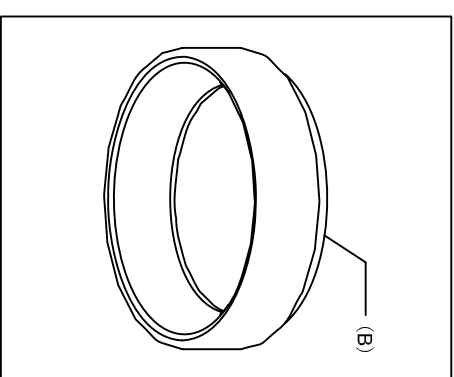
Please ensure the Friends of Hue luminaire is always switched ON.
The Friends of Hue luminaires will only be receivable when the light switch is in ON state

After installation is complete.

Plug in your HUE Bridge and connect to the WIFI router.
Install the HUE App for pairing and configuring your Friends of HUE product



Please be informed that Signify (Philips Lighting) will have access to your personal and usage data via the Hue bridge. In order to understand how Signify (Philips Lighting) processes your personal data and usage data please read respectfully Supplier Privacy notice and terms of use which can be found on www.meethue.com



Step, 2- Adjust wire length to desired mounting height and tighten strap after screws to secure. Wire fixture to wires in outlet box. Install fixture to bracket and tighten screws at the ends of the canopy to secure

Cleaning & Care:
Clean with soft cloth and a mild detergent.
Do not use abrasive cleaner.

Page 2 of (2)